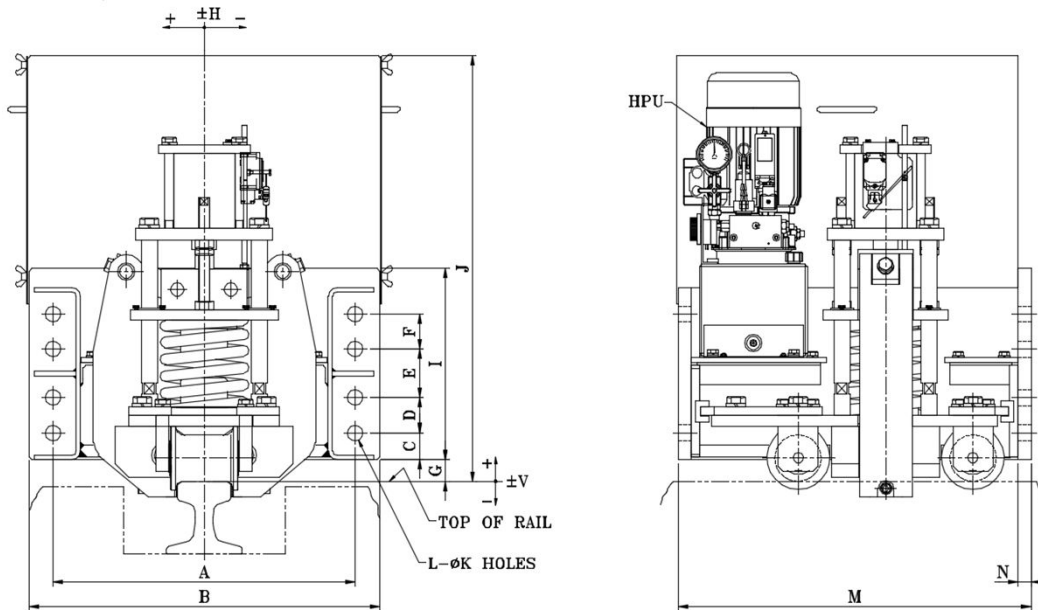


RCV-S-P Series (Spring Applied Hydraulic Released)



- Side mounting type.
- All models have an integral hydraulic power unit (HPU).
- Horizontal positional deviation allowance : +/-25mm
- Vertical positional deviation allowance : +/-25mm
- The attachment part can be customized according to the field conditions.
- Structural mounting bolt fasteners : 10.9 class, supplied by customer.
- Dimensions as shown subject to change without notice and reference only.



Model type	Holding Capacity (Ton)	A	B	C	D	E	F	G	H	I	J	K	L	N	M	V	Applicable Rail Size	App. Weight (kg)
RCV-10-S-P	10	450	540	45	55	55	-	30	25	235	700	27	6	20	600	25	50kg-N, 60kg CR73kg, CR100kg	350
RCV-15-S-P	15	450	540	45	55	55	-	30	25	235	700	27	6	20	600	25	50kg-N, 60kg CR73kg, CR100kg	360
RCV-20-S-P	20	560	650	50	65	90	65	40	25	355	825	29	8	25	654	25	CR73kg, CR100kg	490
RCV-25-S-P	25	560	650	50	65	90	65	40	25	355	825	29	8	25	654	25	CR73kg, CR100kg	500
RCV-30-S-P	30	630	730	60	70	100	70	40	25	400	890	33	8	35	770	25	CR73kg, CR100kg	760
RCV-35-S-P	35	630	730	60	70	100	70	40	25	400	890	33	8	35	770	25	CR73kg, CR100kg	790
RCV-40-S-P	40	670	770	60	70	100	70	40	25	440	965	33	8	38	776	25	CR73kg, CR100kg DIN A150	890
RCV-45-S-P	45	670	770	60	70	100	70	40	25	440	965	33	8	38	776	25	CR73kg, CR100kg DIN A150	900