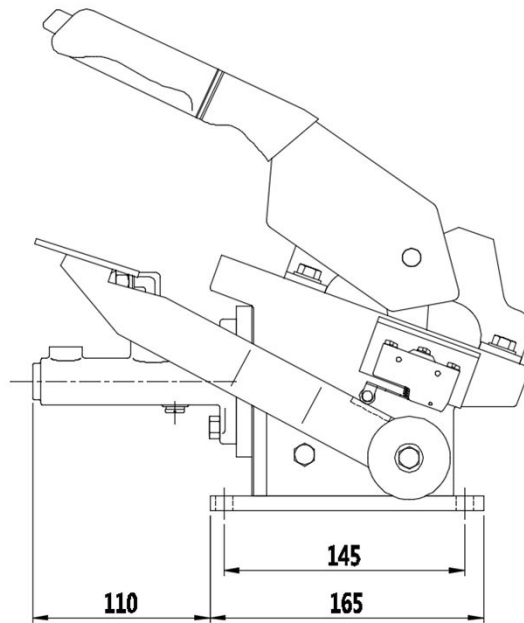
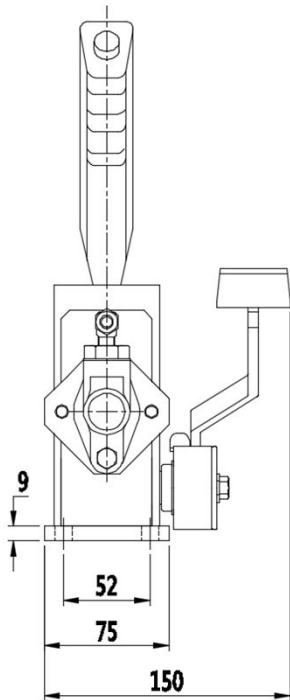


**DB-2103CH** (Foot Applied Spring Released)



- This unit is equipped with pedal and hand lever.
- Normally brake is operated by pedal like automobile, for parking, able to retain oil pressure at same position by pulling hand lever.



Model Type	DB-2103CH
Master Cylinder	3/4"
Discharge Oil Volume	5cc
Produced Oil Pressure (Foot Pressure : 5kgf)	9.5 kgf/cm <sup>2</sup>
Weight	kg